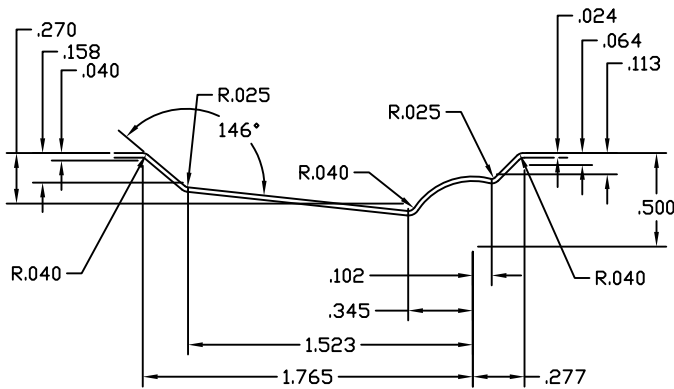


NOTE:  
 1/16" TOLERANCE  
 ALLOWED FROM CENTERLINE  
 FOR EMBOSSMENT LOCATIONS  
 TOP TO BOTTOM  
 AND SIDE TO SIDE.

NOTE:  
 THIS LAYOUT BASED ON:  
 3'0" X 6'8" EMBOSSED DOOR  
 FOR 7'0 DOORS  
 EMBOSSMENT LOCATION  
 DIFFERENCE IS SPLIT BETWEEN  
 TOP AND BOTTOM RAILS

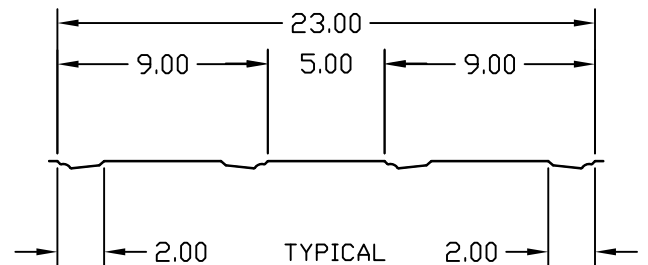
EMBOSSEMENT PROFILE  
SECTION A-A

SCALE 16X



EMBOSSEMENT  
SECTION B-B

SCALE 2X  
 ALL DIMENSIONS (T.S.C.) TO SHARP CORNER



STANDARD 4 PANEL EMBOSSEMENT  
 OPTION FOR WOOD EDGE DOORS  
 AVAILABLE IN STAINABLE STEEL

DWG#	III-7
DATE	7-05-06
NAME	MJP
SECTION	III
PAGE	7