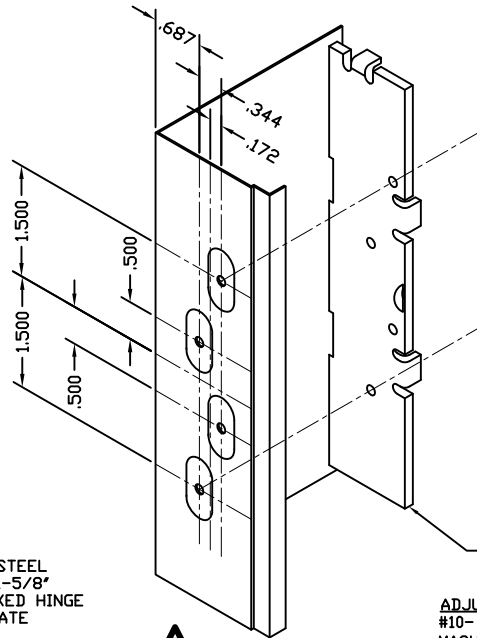


FIXED HINGE SCREW
 #10 X 3/4" TYPE 17
 PHILLIPS FLATHEAD
 OR
 #10- 24 X 5/8"
 MACHINE SCREW

F
 TAYLOR 4"x4" FIXED
 HINGE PREP

20 GAUGE STEEL
 6-1/8" X 1-5/8"
 TAYLOR FIXED HINGE
 BACKER PLATE

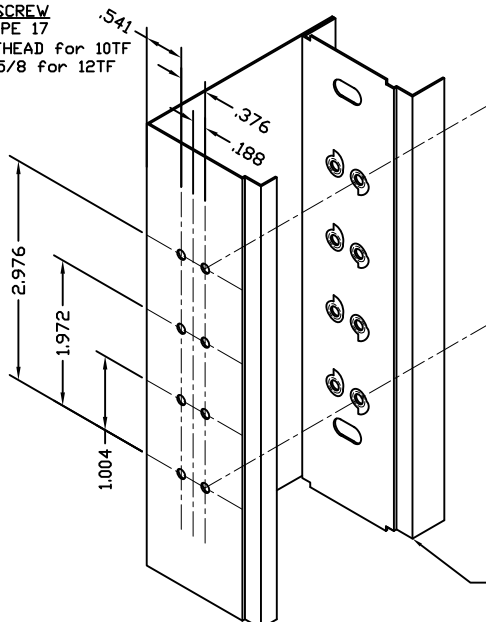


ADJUSTABLE HINGE SCREW
 #10- 24 X 5/8"
 MACHINE SCREW

A
 TAYLOR 4"x4" ADJUSTABLE
 HINGE PREP

5-11/16" X 1-3/16"
 TAYLOR ADJUSTABLE HINGE
 BACKER PLATE

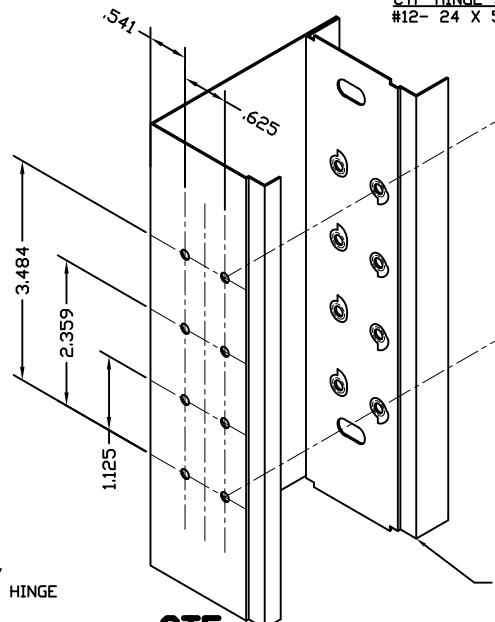
FIXED HINGE SCREW
 #10 X 3/4" TYPE 17
 PHILLIPS FLATHEAD for 10TF
 or #12-24 x 5/8 for 12TF



10TF or 12TF
 TEMPLATE 4"x4" FIXED
 HINGE PREP

20 GAUGE STEEL
 6-1/8" X 1-5/8"
 TEMPLATE FIXED HINGE
 BACKER PLATE

CTF HINGE SCREW
 #12- 24 X 5/8"



CTF
 4-1/2" X 4-1/2"
 COMMERCIAL TEMPLATE FIXED
 HINGE PREP

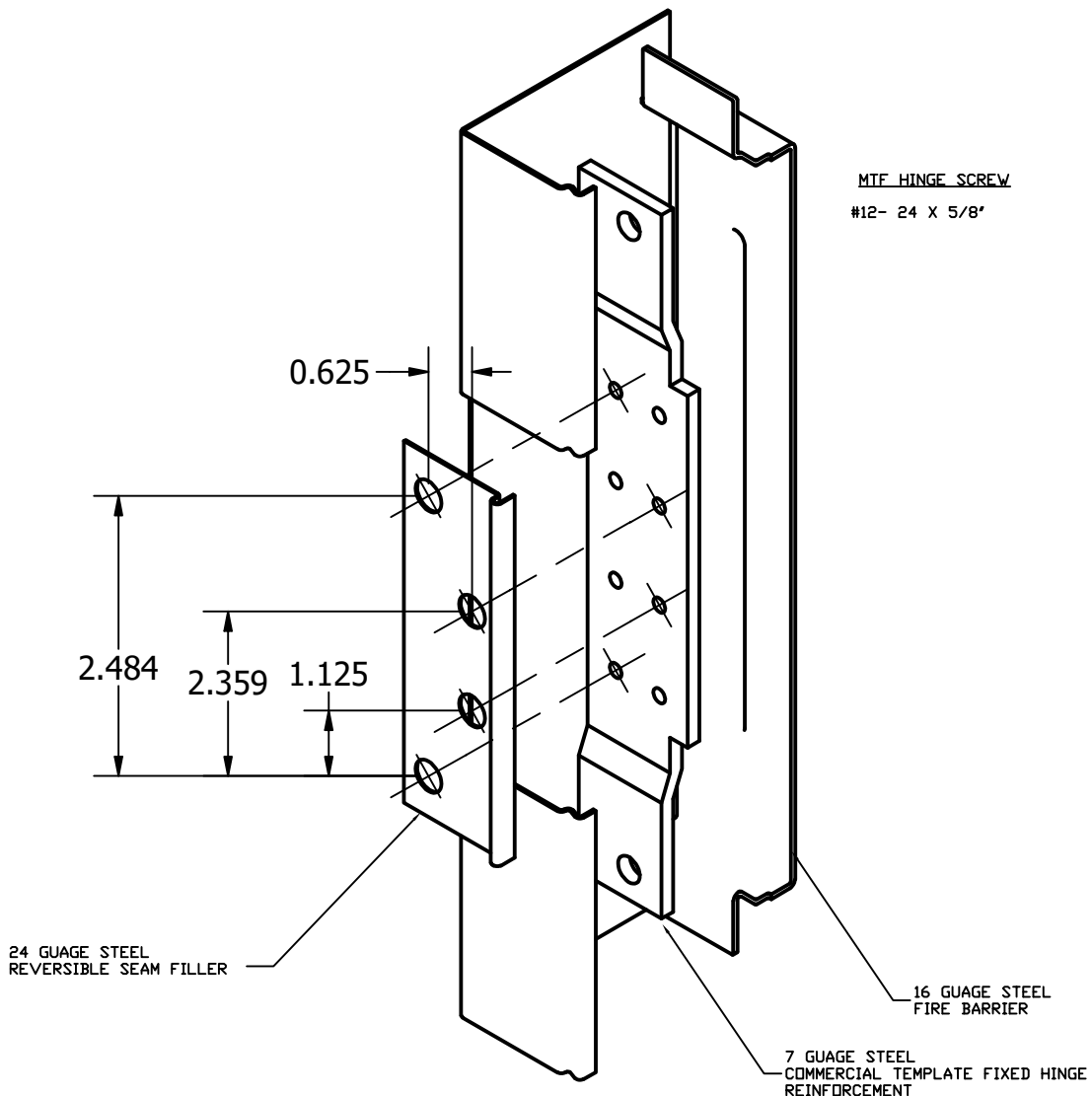
20 GAUGE STEEL
 6-1/8" X 1-5/8"
 TEMPLATE FIXED HINGE
 BACKER PLATE



AMERICA'S DOORMAKER

HINGE PREPS FOR STEEL EDGE DOORS

DWG#	II-50
DATE	9-29-05
NAME	MJP
SECTION	II
PAGE	50



MTF
4-1/2' X4-1/2'
COMMERCIAL TEMPLATE FIXED
MORTISE HINGE PREP



AMERICA'S DOORMAKER

HINGE PREPS
FOR STEEL EDGE DOORS

DWG#	II-50B
DATE	11-14-23
NAME	JEW
SECTION	II
PAGE	50B

Available Hinge Preps



Durador Standard
4" Non-template
Hinge Prep



Uni-Door Standard
4" Adjustable Non-
Template Hinge
Prep



4" Template Hinge
Prep. Upgrade for
Durador or Uni-door



4-1/2"
Template Hinge Prep.
Upgrade for Durador
or Uni-door

RESIDENTIAL HINGE SCREWS

#10 x 3/4" long Wood Screw



#10 x 5/8" long Machine Screw

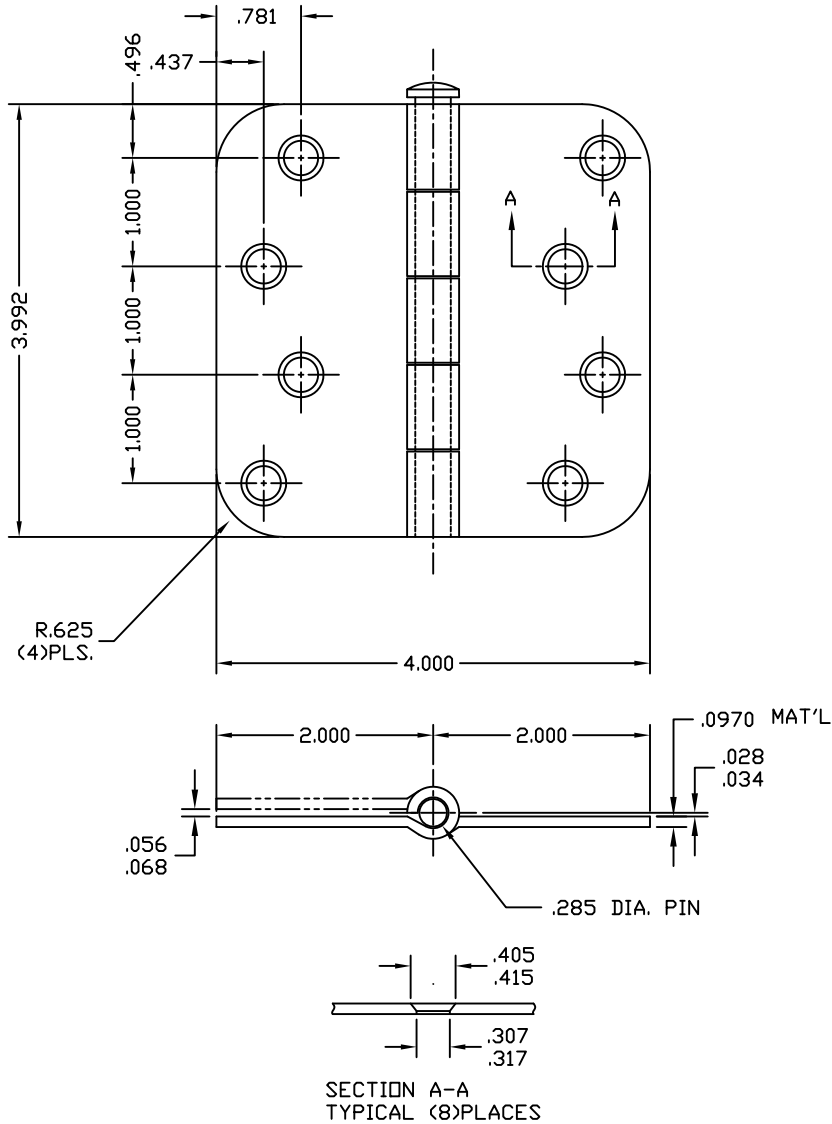


HINGE SCREW FOR ATTACHING
HINGE LEAF TO
ADJUSTABLE HINGE DOORS:

#10-24 X5/8" MACHINE SCREW

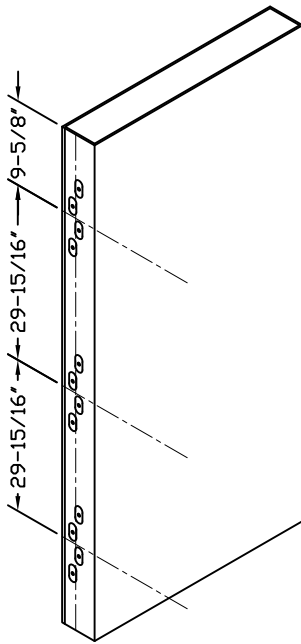
HINGE SCREW FOR ATTACHING
HINGE LEAF TO
FIXED HINGE DOORS AND WOOD JAMBS:

#10-24 X3/4" TYPE 17
PHILLIPS FLAT HEAD-
ZINC PLATED YELLOW DICHROMATE

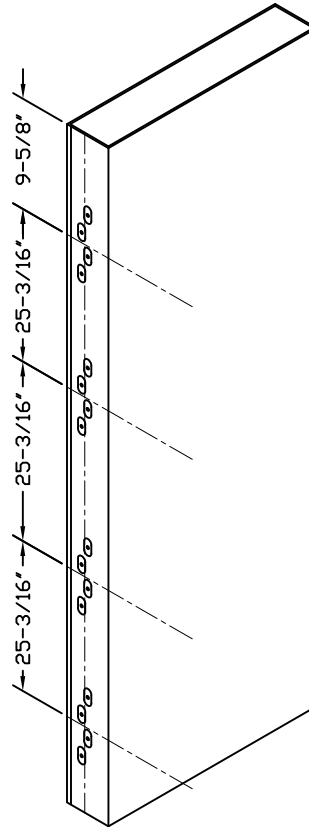


4" X 4" HINGE
DETAIL

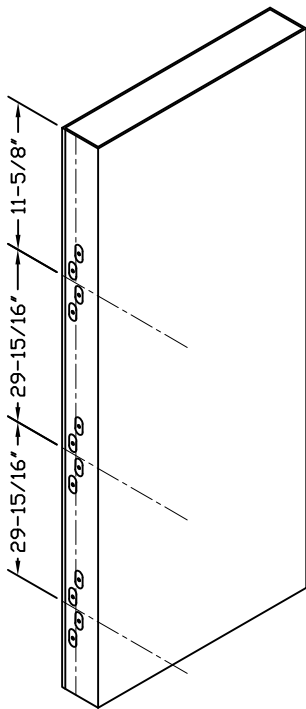
DWG#	II-50A
DATE	2-02-05
NAME	MJP
SECTION	II
PAGE	50A



6'8" DOOR HEIGHT



8'0" DOOR HEIGHT



7'0" DOOR HEIGHT

NOTE: DIMENSIONS FOR HINGE PREPS
 TAKEN FROM CENTERLINE OF HINGE PREP,
 HEIGHT PLACEMENT LOCATIONS THE SAME
 FOR ALL STYLES OF HINGE PREPS
 ON TAYLOR STANDARD DOORS ONLY

DWG#	II-51
DATE	1-20-05
NAME	MJP
SECTION	II
PAGE	50